

# TWILIGHT ZONE

## Manual Amendment

The following corrections/changes have been made to the Twilight Zone Operations Manual. Please keep this amendment with your manual.

### Page 1-41 Pricing Table

#### Changes on Australia, New Zealand and USA.

#### Pricing Table

Country	Coin Chutes				Games/Coins	Display	Pricing Adjustments A3										
	Left Chute	Center	4th Right				02	03	04	05	06	07	08	09			
USA	25¢	\$1.00*	25¢	-	1/50¢, 2/75¢, 3/\$1 <sup>2</sup> 1/50¢, 2/\$1 <sup>2</sup> 1/50¢, 3/\$1 <sup>2</sup> 1/50¢, 2/\$1.00, 6/\$2.00 1/50¢, 2/\$1.00, 5/\$2.00 1/50¢, 2/\$1.00, 4/\$1.50, 6/\$2.00 <sup>1,2</sup>	50¢, 75¢, \$1.00 USA 2/\$1.00 USA 3/\$1.00 USA 6/\$2.00 USA 5/\$2.00											
Canada	25¢	-	\$1.00	-	1/50¢, 2/75¢, 3/\$1 1/50¢, 2/\$1 <sup>2</sup>	CANADA 1 CANADA 2											
Austria	5sch	10sch	10sch	-	1/2x5sch, 3/2x10sch <sup>2</sup> 2/5sch, 5/10sch	AUSTRIA CUSTOM	02	00	05	00	01	00	01	00			
Australia	20¢	\$1	\$1	\$2	1/\$1, 2/\$2 <sup>2</sup>	AUSTRALIA 2											
U.K.	£1.00	50P	20P	10P	1/3x10P, 2/50P, 4/£1 <sup>2</sup>	U. KINGDOM											
Switzerland	1Fr	2Fr	5Fr	-	1/1Fr, 3/2Fr, 7/5Fr <sup>2</sup> 1/2Fr, 2/3Fr, 3/4Fr, 5/5Fr	SWISS SWISS 2											
Belgium	5Fr	20Fr	50Fr	-	1/4x5Fr, 1/20Fr, 3/50Fr <sup>2</sup>	BELGIUM											
Germany	1DM	2DM	5DM	-	1/2DM, 2/3DM, 3/4DM, 5/5DM <sup>1,2</sup>	GER. 1/2DM											
Holland	1G	-	1G	-	1/1G	HOLLAND											
Sweden	1Kr	5Kr	10Kr	-	1/5x1Kr, 1/5Kr, 2/10Kr <sup>1,2</sup> 1/5Kr <sup>2</sup>	SWEDEN 1 SWEDEN 2											
France	1Fr	5Fr	10Fr	20Fr	1/3x1Fr, 2/5Fr, 5/10Fr, 10/20Fr <sup>2,3</sup> 1/2x1Fr, 3/5Fr, 7/10Fr, 14/20Fr <sup>2,3</sup> 1/5Fr, 3/10Fr, 7/2x10Fr, 7/20Fr <sup>1,2,3</sup> 2/5Fr, 4/10Fr, 9/2x10Fr, 9/20Fr <sup>2,3</sup> 2/5Fr, 5/10Fr, 11/2x10Fr, 11/20Fr <sup>2,3</sup> 1/5Fr, 3/10Fr, 6/20Fr <sup>2,3</sup>	TARIF 1 TARIF 2 TARIF 3 TARIF 4 TARIF 5 TARIF 6											
Italy	500L	-	500L	-	1/500L <sup>2</sup> 1/2x500L, 3/4x500L <sup>1,2</sup>	ITALY 1 ITALY 2											
Spain	100P	-	500P	-	1/100P, 6/500P <sup>2</sup> 1/25P, 5/100P 1/25P, 4/100P 1/2x25P, 2/100P 1/2x25P, 3/100P	SPAIN CUSTOM CUSTOM CUSTOM CUSTOM	01	00	04	00	01	04	01	00			
Japan	100¥	-	100¥	-	1/100¥ <sup>2</sup>	JAPAN											
Chile	Token	-	Token	-	1/1Token <sup>2</sup>	CHILE											
Denmark	1Kr	5Kr	10Kr	-	1/2x1 Kr, 3/5Kr, 7/10Kr <sup>2</sup>	DENMARK											
Finland	1Mka	-	5Mka	-	1/2x1Mka, 3/5Mka <sup>2</sup>	FINLAND											
New Zealand	\$2.00	-	\$1.00	-	1/\$1, 3/\$2	NEW ZEALAND 2											
Norway	5Kr	-	10Kr	-	1/5Kr, 2/10Kr, 5/20Kr <sup>2</sup>	NORWAY											
Argentina	10¢	10¢	10¢	-	1/1 Token <sup>2</sup>	ARGENTINA											
Hungary	10F	10F	20F	-	1/1x20F, 1/2x10F, 3/2x20F <sup>2</sup>	HUNGARY											

Note: 1. Factory Default. 2. Standard Setting - Change by pressing Enter button. 3. Other functions are also affected.  
\* Only if Bill Acceptor and Center Coin Chute are available.

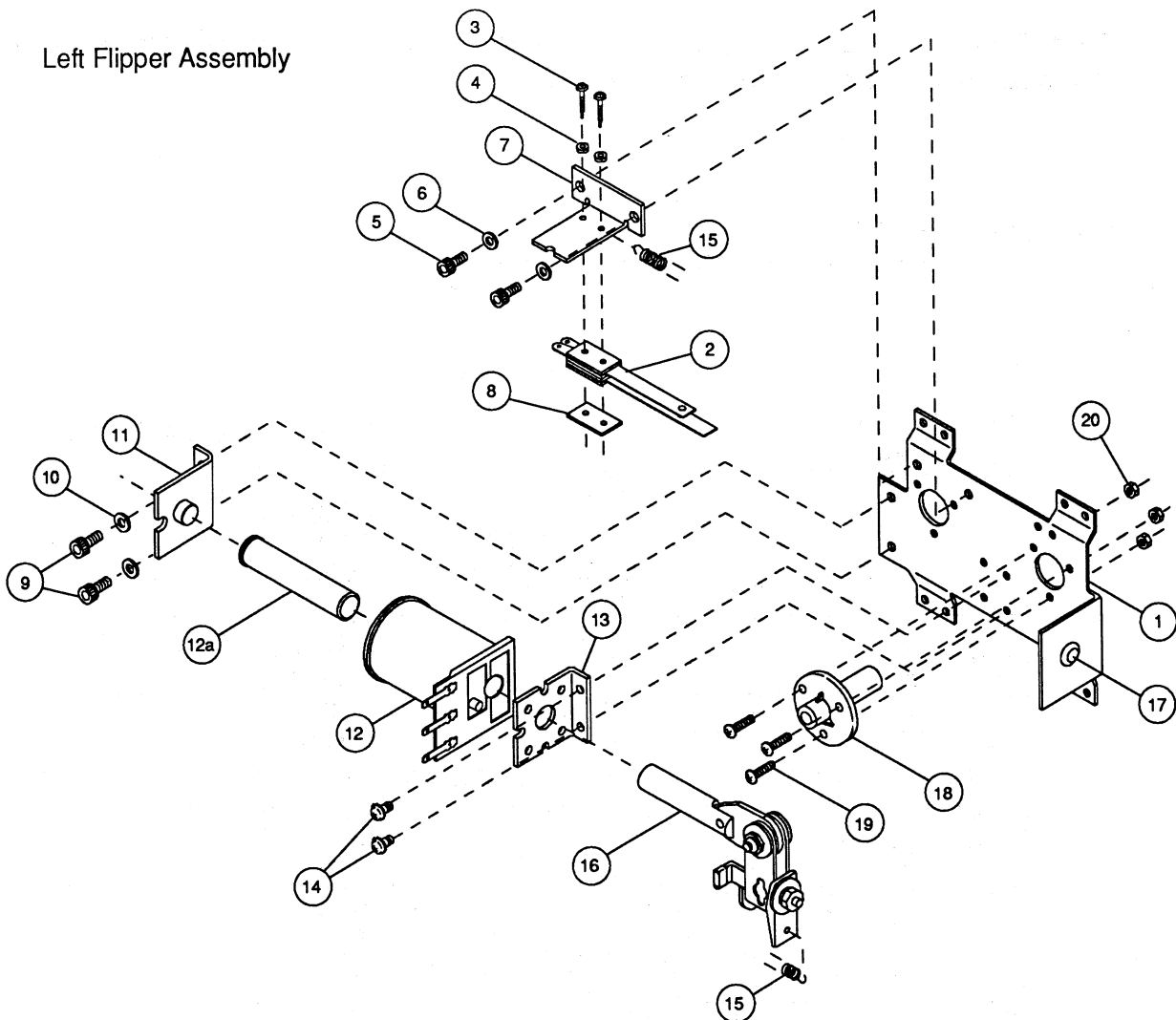
**Page 2-20 Fliptronic II Flipper Assembly**

**Part changed.**

Item 2 has been changed to SW-1A-194 Switch Assembly and,  
Item 11 has been changed to A-12390 Flipper Stop Bracket Assembly.

**Page 2-21 Fliptronic II Flipper Assembly**

**Pictorial change.**



**Page 2-23 Ball Shooter Lane Feeder-Associated Parts**

**Part added.**

Item 9f, 03-7066 Coil Tubing.

**Page 2-25 Ball Popper Assembly**

**Parts changed/deleted.**

Items 7, 10 and 16 are no longer used.

Item 14 was changed to A-16909 Opto Photo Transistor Assembly and,  
Item 15 was changed to A-16908 Opto LED Assembly.

**Page 2-28 Rear Diverter Assembly**  
**Parts changed.**  
Item 2 was changed to **A-16957 Stop Bracket Assembly**,  
Item 8 was changed to **10-128 Spring** and,  
Item 11 changed to **4010-01169-00 SS #10-32 x 1/4"**.

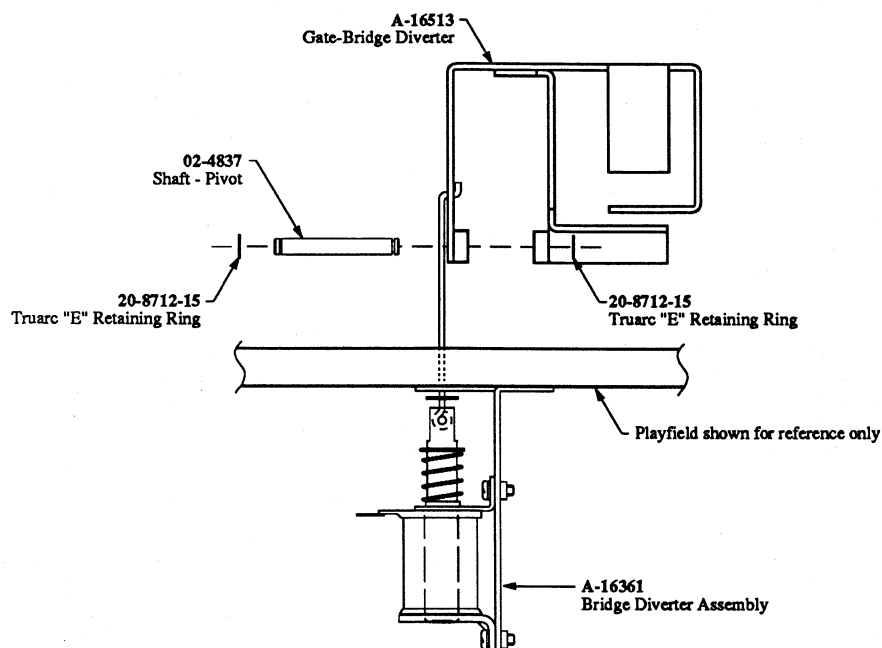
**Page 2-29 Shooter Diverter Assembly**  
**Part number error.**  
Item 3 should be listed as **SZ-33-3000 Coil Assembly**.

**Page 2-32 Clock Assembly**  
**Page 2-33 Parts changed .**  
Clock Assembly part number changed to **A-16124-1** and  
Item 13 changed to **A-17047 Shaft and Roll Pin Assembly**.

**Page 2-35 Kicker Assembly**  
**Part number error.**  
Item 7 should be listed as **AE-24-900 Coil Assembly**.

**Page 2-47 See Back.**

**Page 2-48 Upper Playfield Parts List**  
Item 27a changed to **A-16124-1 Clock Assembly**.  
Under the listing of parts not shown, **A-16513 Bridge Diverter Assembly** is listed,  
below is a diagram to show its associated parts.



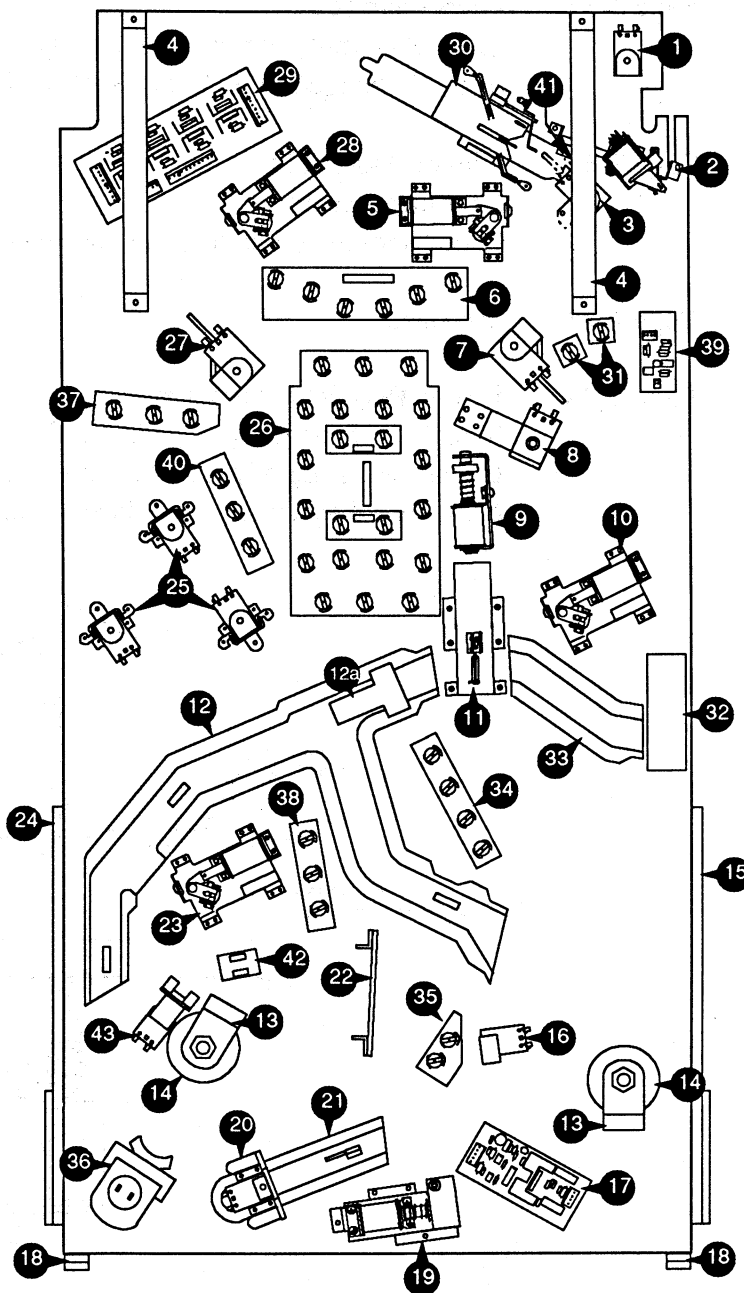
**Page 2-51 Switch Locations**  
**Part number changed**  
Switch 61 changed to **5647-12693-57**.

**Lower Playfield Parts**

**Part number error and parts added.**

Item 4 should be listed as **01-11523** Leg Support,  
 Item 12a was added: **A-16535** Ramp Prox Opto sensor Assembly,  
 Item 15 should be listed as **A-16637-2** Plfd. Slide Mechanism-Right,  
 Item 32 should be listed as **A-16923** Right Deflector Assembly,  
 Item 42 was added: **A-15542** Motor EMI Assembly and,  
 Item 43 was added: **A-16361** Right Ramp Diverter.

Item	Part Number	Part Number
1.	A-16713	Metal Kicker
	A-16647	Coil & Bracket Assembly
2.	A-16338	Shooter Diverter Assembly
3.	C-9638	Multiball Eject Assembly
	10-128	Spring
	A-16766	Coil & Bracket Assembly
4.	01-11523	Leg Support (2 Used)
5.	A-15205-R-4	Lower Right Flipper Assembly
6.	A-16328	6-Lamp Board
7.	B-12665	Kicker Arm (Slingshot) Assy., Right
	A-16645-R	Coil & Bracket Assembly
8.	A-16713	Kicker Assembly V-Pad
	A-16647	Coil & Bracket Assembly
9.	A-16434	Kicker Assembly
10.	A-15205-R-3	Upper Right Flipper Assembly
11.	A-16381	Loop Assembly
12.	A-16133	Main Chute Assembly
a)	A-16535	Ramp Prox Opto Sensor Assy.
13.	A-16460	Bracket & Nut Assembly (2 used)
14.	20-9247	Coil Magnet (2 used)
15.	A-16637-2	Plfd. Slide Mechanism, Right
16.	A-16307	Eject Assembly
17.	A-16120	D.C. Motor Assembly
18.	01-10726	Rear Guide Leg (2 used)
19.	A-16313	Rear Diverter Assembly
20.	A-16312	Ball Popper Assembly
21.	A-16216	Rear Trough Assembly
22.	A-16807	10-Switch Opto PC Board
23.	A-15205-L-1	Upper Left Flipper Assembly
24.	A-16637-1	Plfd. Slide Mechanism, Left
25.	A-9415-2	Jet Bumper Coil Assembly (3 used)
	B-12030-2	Switch & Diode Assembly (3 used)
26.	A-16327	19-Lamp Board Assy.
27.	B-12665	Kicker Arm (Slingshot) Assy., Left
	A-16645-L	Coil & Bracket Assembly
28.	A-15205-L-4	Lower Left Flipper Assembly
29.	A-16116	8-High Power Driver PC Board
30.	C-11615	Micro-Switch Plate Assembly
31.	B-12224	Single Lamp Board
32.	A-16923	Right Deflector Assy.
33.	03-8826	Small Chute Assembly
34.	A-16514	4-Lamp Board
35.	A-16515	3-Lamp Board
36.	A-16132	Gumball Machine Assembly
37.	A-16516	3-Lamp Board
38.	A-16329	3-Lamp Board
39.	A-16534	Prox Opto Sensor Assembly
40.	A-16517	3-Lamp Board
41.	A-16533	Ball Sensor Assembly
42.	A-15542	Motor EMI Board
43.	A-16361	Right Ramp Diverter



*Underside of Playfield, Viewed In Raised Position*